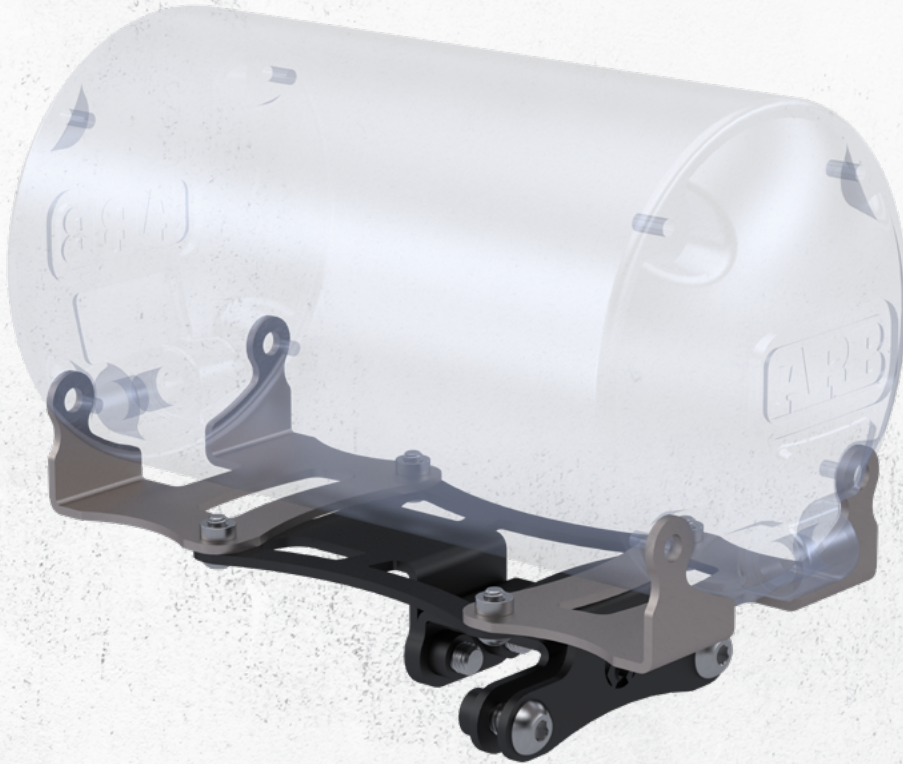




## JT0010

### JT BELLY PAN ARB TANK MOUNT



#### ESTIMATED INSTALLATION TIME

**.5 hours**

#### REQUIRED TOOLS & SUPPLIES

- 7/32" hex bit
- 5/32" hex bit
- 3/8" ratchet
- 3/8" ratchet extension

#### REQUIRED SKILLS

- General Mechanics Skills

#### NOTES:

- Component appearance in instructions may vary from those received.
- Works with old and new ARB tanks

## WARNING MESSAGES

This product demands a basic understanding of mechanical procedures and should only be installed by individuals proficient with mechanic's tools. Any tasks involving welding or cutting parts should be performed by trained professionals. Artec Industries disclaims responsibility for mishaps arising from improper installation, or any damage or accidents resulting from cutting or welding tasks. Exercise caution and seek professional help as required.

## SAFETY

1. We've furnished a written installation guide, along with relevant details, to aid you in making safety-conscious decisions.
2. While these guidelines will highlight potential risks, it's crucial to exercise your personal judgment when performing any required steps.
3. Before initiating any tasks, it's essential to conduct a job safety analysis to identify specific hazards in your situation and take measures to eliminate or protect against them.
4. Before commencing the installation of this product, make sure you familiarize yourself with and fully understand all safety warnings and guidelines.

## DISCLAIMERS

All Artec Industries products should be installed by a competent, certified individual following the intended installation instructions for each product. Incorrect installations not only nullify any warranties but could also lead to product damage or even damage to the vehicle it's installed on. Prior to installation, carefully read all provided instructions or manuals, and watch any associated videos. For any doubts or queries, reach out to Artec Industries before beginning the installation process.

Many products necessitate lifting and supporting the vehicle off the ground. It is the installer's responsibility to ensure this can be done safely and that the right equipment is at hand to carry out the installation. Artec Industries installation instructions presume the installer is competent to lift the vehicle safely and correctly.

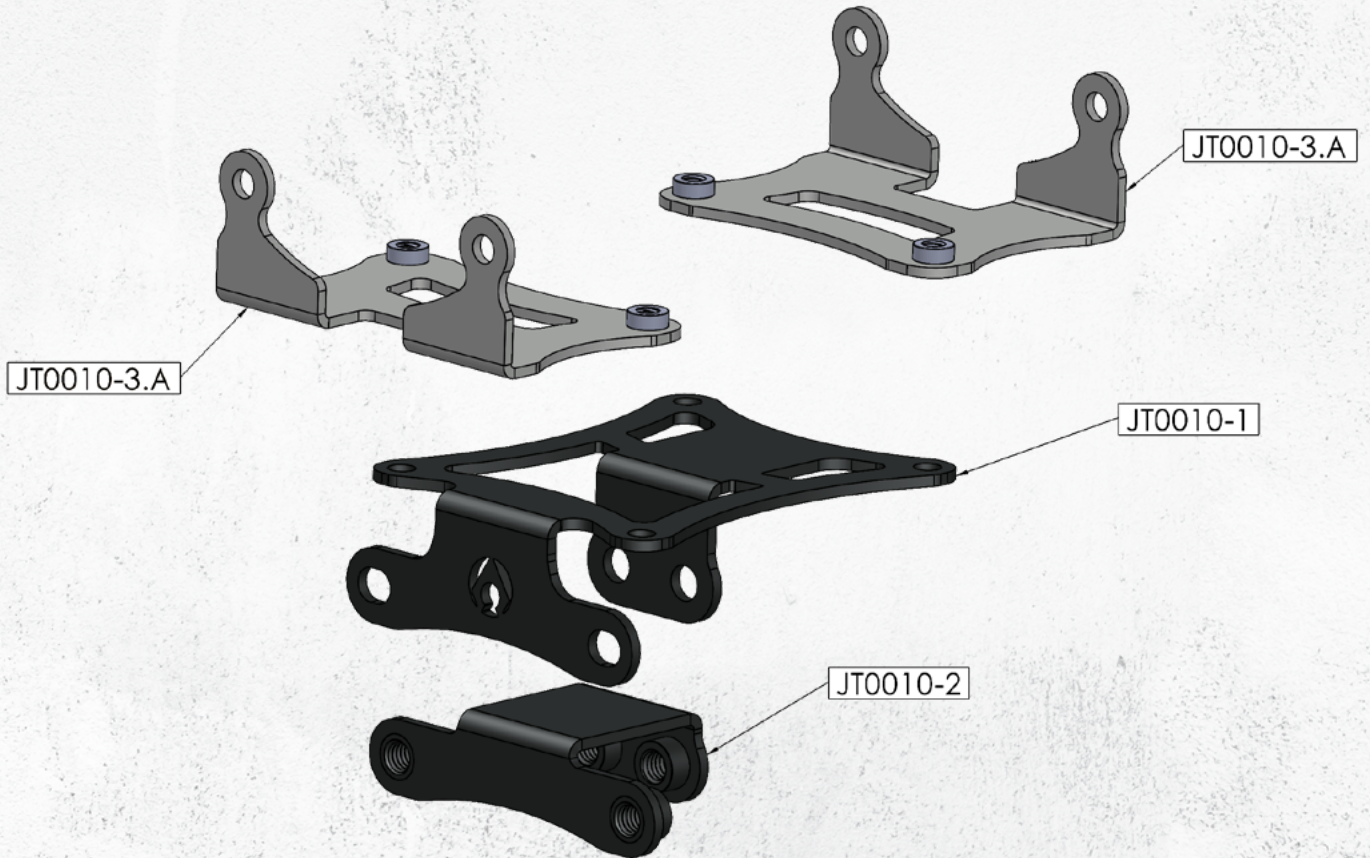
Modified vehicles won't perform identically to their stock counterparts. It's incumbent upon the vehicle owner to understand the alterations such modifications will bring to the vehicle's driving dynamics. These might encompass (but aren't limited to): changes in handling, braking, rollover angle, and potential incompatibilities with the factory-installed anti-lock braking systems, stability control systems, or traction control systems.

## SPECIAL NOTES

- Unless otherwise noted, all hardware should be **LOOSELY** tightened by hand until the very end of installation when all components are attached.

## JT0010 PARTS BILL OF MATERIALS

Please confirm you have all the listed parts below **BEFORE** beginning your installation. If any parts are damaged or missing, **KEEP ALL ORIGINAL BOXES and PACKAGING** and contact us.

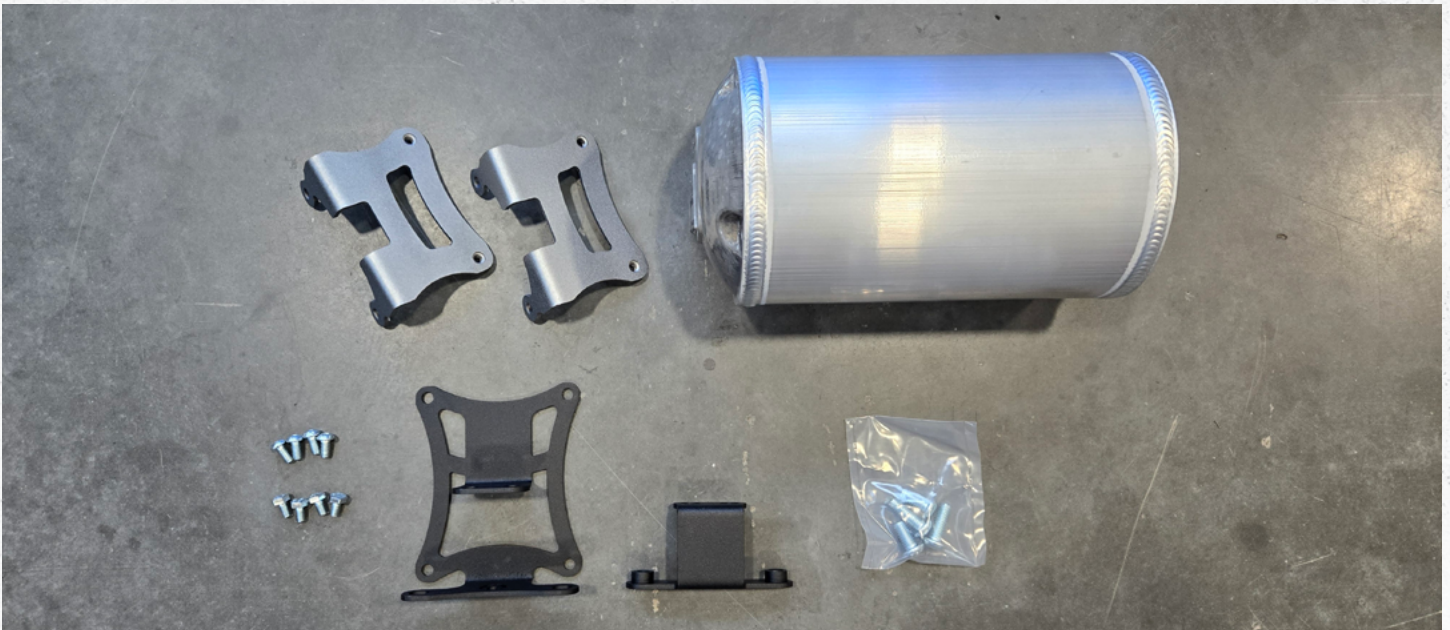


**NOTE:** The part numbers indicated above end in a “.” and “letter” which indicate the revision number for the part. The etched part number on your physical parts do not need to match the above drawing revision exactly.

## HK0010 BILL OF MATERIALS

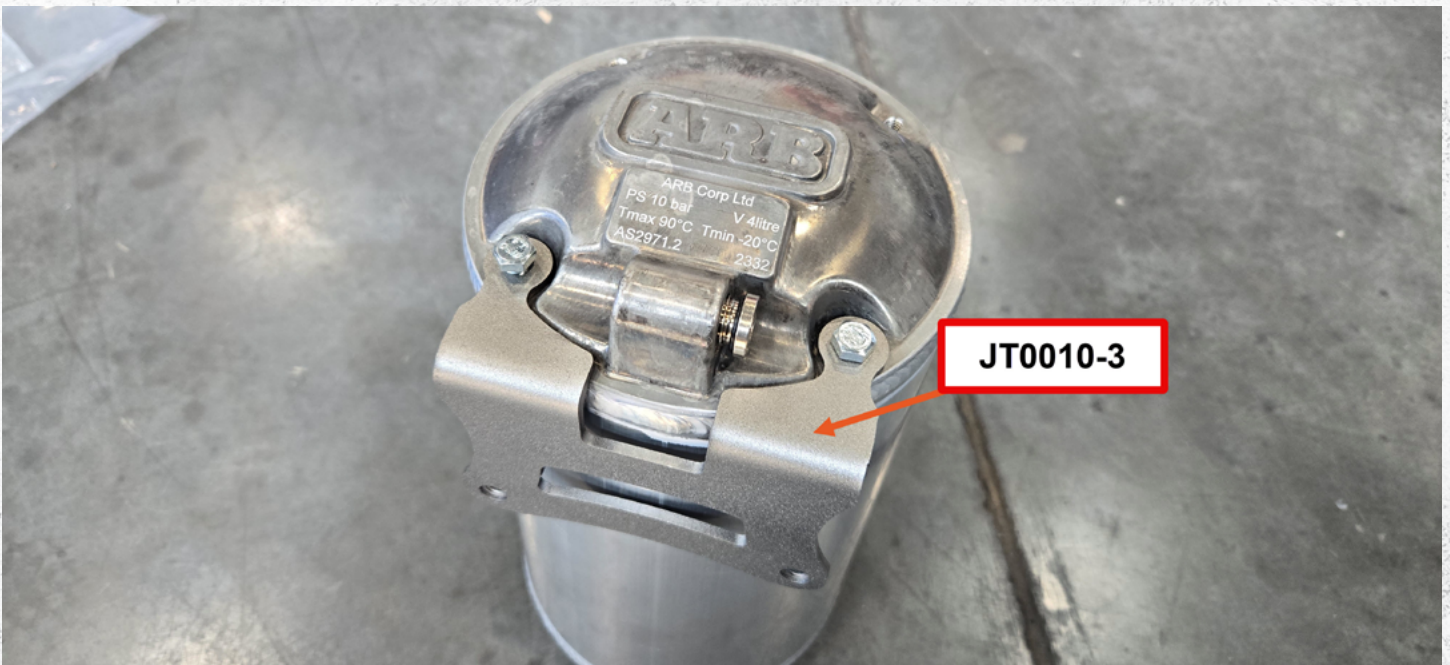
ITEM NO.	PART NUMBER	DESCRIPTION	QTY.
1	HW0035	3/8" 16 x .75" long button head screws ZINC plated	4
2	HW0092	1/4"-20 x 1/2" Button Head Socket Cap Screw Zinc Plated	4

## ASSEMBLY INSTRUCTIONAL GUIDE



### Step 1:

An ARB tank is required to accompany the JT0010 kit and can be used with the new or old style tanks from ARB.

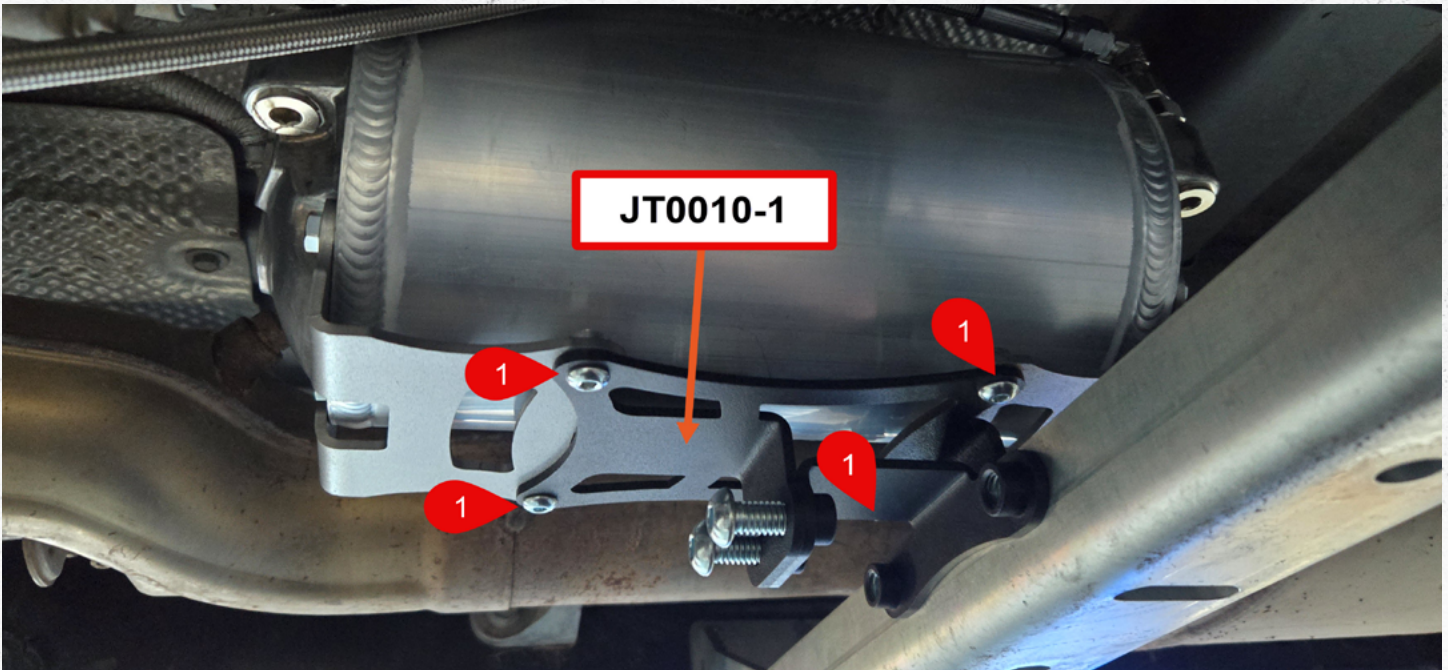


### Step 2:

Install JT0010-3 using two of the supplied bolts from ARB and repeat on the opposite side of the tank. Tighten the four ARB bolts.

**This step will not be used on older style tanks.**

## ASSEMBLY INSTRUCTIONAL GUIDE



### Step 3:

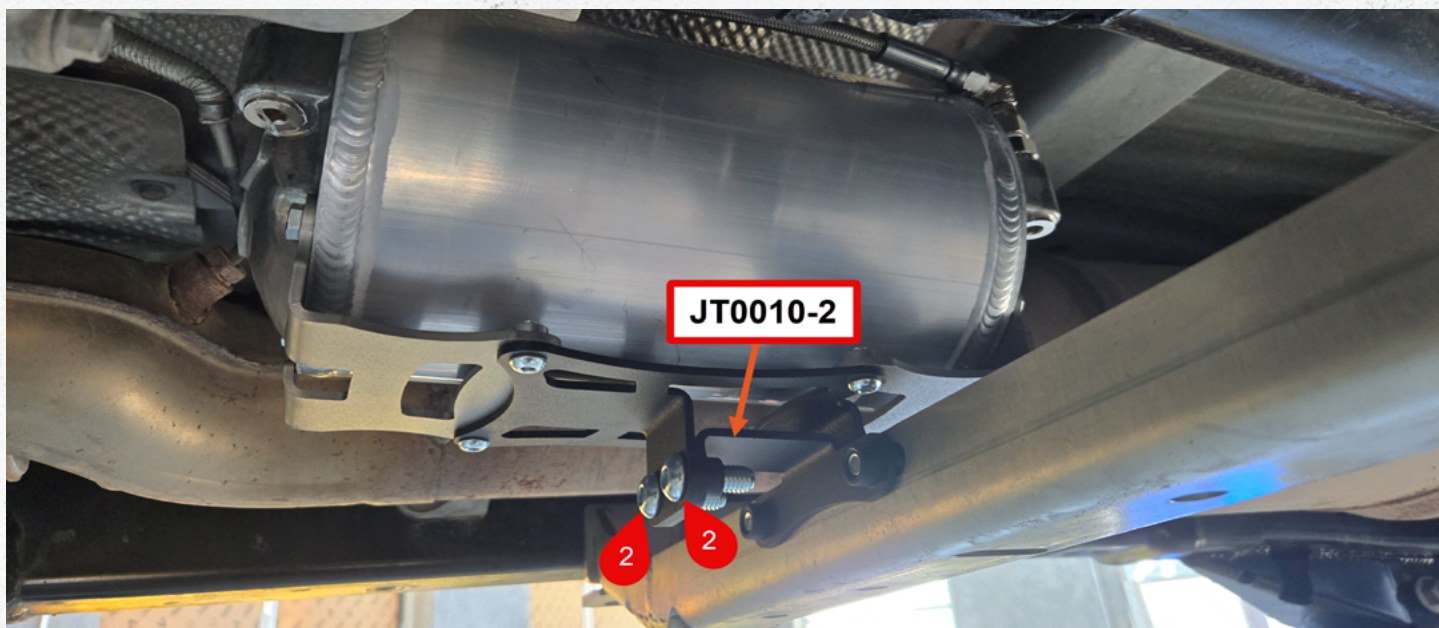
Install JT0010-1 using four 1/4" x 1/2" button head bolts RED 1 with a 5/32" hex bit. These bolts should be tightened first.



### Step 4:

Install the tank assembly on the crossmember using two of the 3/8" x .75" button head bolts RED 2.

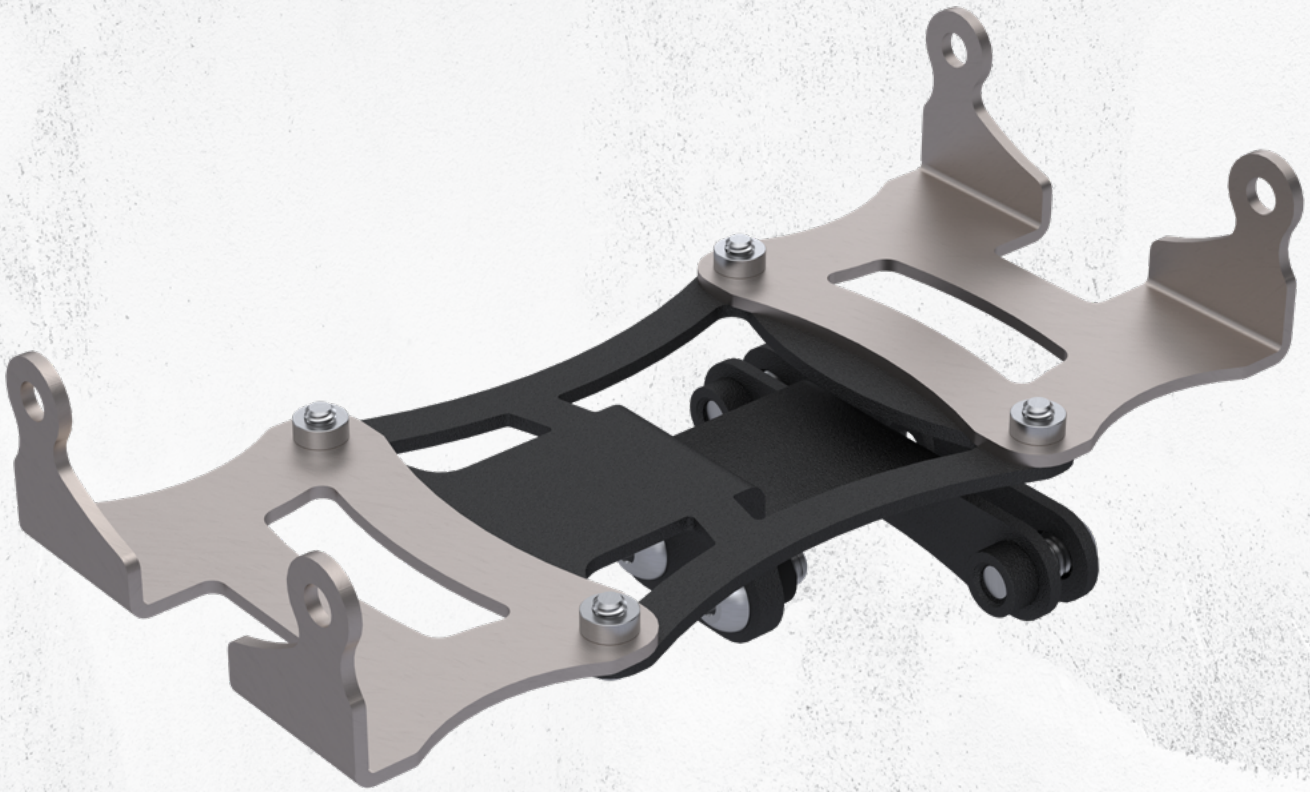
## DISASSEMBLY INSTRUCTIONAL GUIDE



### Step 5:

Install JT0010-2, the bolts from step 4 go into this bracket. Finish the install by installing the last two 3/8" x .75" button head bolts.

**Verify ALL previously installed hardware is tight / torqued to specifications.**



## CONCLUSION

Congratulations on finishing the installation for your Artec Industries JT ARB tank mount. Before driving your vehicle, inspect all bolts to ensure they are properly tightened.

If you used a vehicle lift, take proper care to ensure you lower your vehicle safely.

Now take your vehicle out and enjoy the outdoors in confidence.

## MAINTENANCE / CARE

- After 500 miles, inspect all components and hardware to ensure they are properly fastened.
- If driving during the winter where salt is used on the roads, thoroughly and frequently wash underside of vehicle to prevent salt based corrosion.
- If removal of skid panels is required for vehicle maintenance, and bolts will not loosen, tap the bolt heads with a small sledge hammer using moderate force. This will allow the threads to loosen.
- Spray wax or similar products can be used to create a protective barrier on raw metals to protect against long term corrosion.